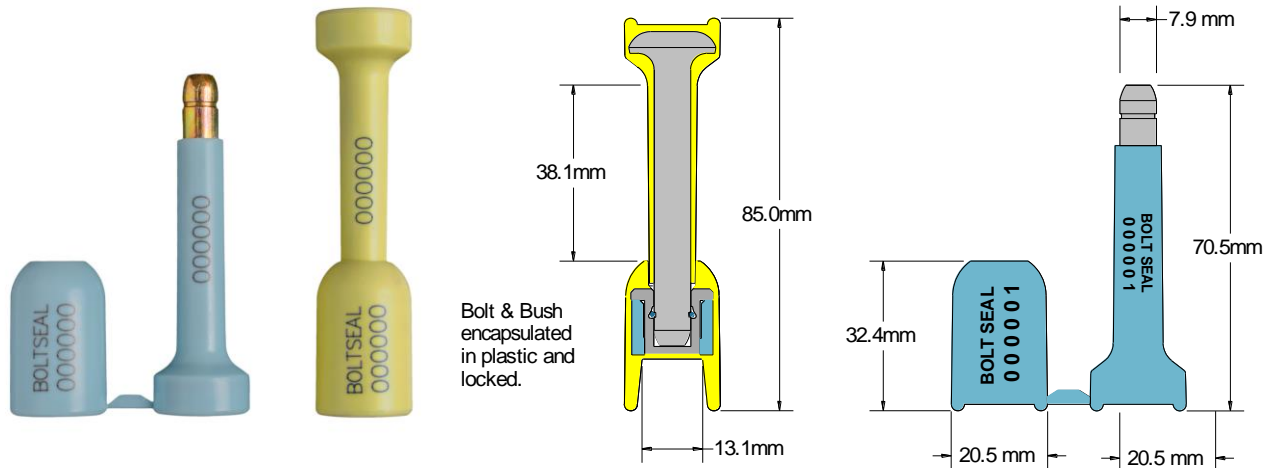


# BS1 SEAL Data Sheet



The **BS1 Bolt Seal** is an ISO 17712:2013 (E) compliant high security bolt seal, designed for high value ISO container cargo shipments. The plastic coated bolt and locking bush is molded in a pair and laser marked with identical sequential numbers for added security. The bolt seals are packed in high quality clear re-closable wallets of ten seals, making it easy to remove seals singularly if required. When the seal has been locked the bolt spins freely on the locking bush to confirm seal integrity.

## Technical Data

### Recommended Applications

Rail, Sea & Air Container Freight, Doors, Hatches, Trailers, Storage.

### Material

Carbon steel with zinc chromate finish  
 Bolt - High visibility ABS coated  
 Lock Bush - High visibility ABS coated  
 All ABS with Biodegradable additives

### Available Operating Length

38mm

### Dimensions

Bolt - 18.5mm dia head and 7.9mm dia shaft  
 Bush - 18.1mm dia head reducing to 12.0mm

### Average Breaking Strength (Test Data)

Tensile Pull Strength -	20.20(kN)
Shear Test -	8.96 (kN)
Impact Test at 18° C -	40.68+(J)
Impact Test at -27° C -	40.68+(J)
Bending Test -	67.34(Nm)

### Acceptance

ISO 17712:2013 (E) 'H' compliant High Security Seal  
 HM Revenue & Customs High Barrier Seal Class 1  
 EU Regulation 2454/93, Article 386, Annex 46A  
 US In-Bond Security

### Marking

Laser marking  
 Consecutively numbered on bolt and bush as standard  
 Optional Customer name/logo on bush

### Colours

Pastel shades of pink, blue, green, yellow, peach, also black and white.  
 Other colours may be available on request.

### Packaging

Re-Closable Wallet	: 10 seals
Standard Packaging	: 200 seals per carton
Carton Dimensions	: 33cm x 23cm x 25cm
Carton weight	: 11.6kg per carton

