

Wall Mounted Hand Held Drench Hose - Dual Outlet

EL485

Wall mounted hand held drench hose has self coiling hose for body rinsing, and provides supplementary support to primary emergency shower and eyewash.

It also provides hands-free eye washing and features dual outlets for simultaneous eye rinsing. The stay open valve allow the user to have their hands free to hold their eyelids open for maximum flushing.

Ideal for industrial, commercial and educational applications.

FEATURES

- Chrome plated brass body
- Spray outlets with dust cap
- Dust cap flips open upon activation
- Stay-Open ball valve with push activation
- Supplied with wall bracket
- Supplied with 3.75m nylon self coiling UV stabilised hose



Product Codes

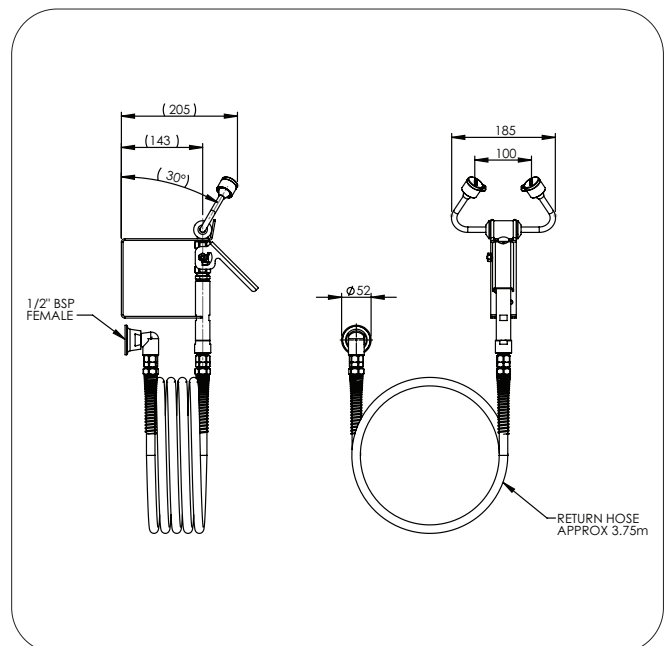
EL485 Wall Mounted Hand Held Drench Hose - Dual Outlet

Technical Information

Inlet Connection	1/2" BSP Female
Working Pressure Range	10-1000kPa*
Recommended Pressure	200-500kPa
Flow Rate	3 L/min
Operating Temperature Range	Tepid #
Installation Height (from outlet to finished floor)	838 - 1143mm

* Enware products must be installed in accordance with AS4775 – Emergency Eyewash and Safety Equipment, AS/NZS 3500 – Plumbing and Drainage, and the Plumbing Code of Australia (PCA). Installations not complying with AS4775, AS/NZS 3500 and PCA may void the product and performance warranty provisions. The performance of Enware AS/NZS 3718 tapware, in many cases, exceeds the plumbing system design requirements of AS/NZS 3500 and PCA.

Recommended temperature range for tepid water is 15.6 °C – 37.8 °C



Version: Apr21

Call 1300 369 273
www.enware.com.au

Enware Australia Pty Limited
9 Endeavour Rd Caringbah NSW 2229 Australia
Ph: +61 2 8556 4000 info@enware.com.au