

# Wall Mounted Hand Held Drench Hose

## EL420

Designed to be used as a secondary support to primary eyewash stations and deluge showers not as a replacement.

Install near workplace hazard locations for a quicker response time.  
Soft aerated water flow for flushing of eyes and other body parts.

Ideal for industrial, commercial and educational applications.

### FEATURES

- Chrome plated brass body
- Aerated adjustable spray nozzle with dust cap
- Dust cap flips open upon activation
- Self-closing trigger spray with stay-on holding ring
- Supplied with 1.5m stainless steel braided hose and wall bracket

### Product Codes

EL420 Wall Mounted Hand Held Drench Hose

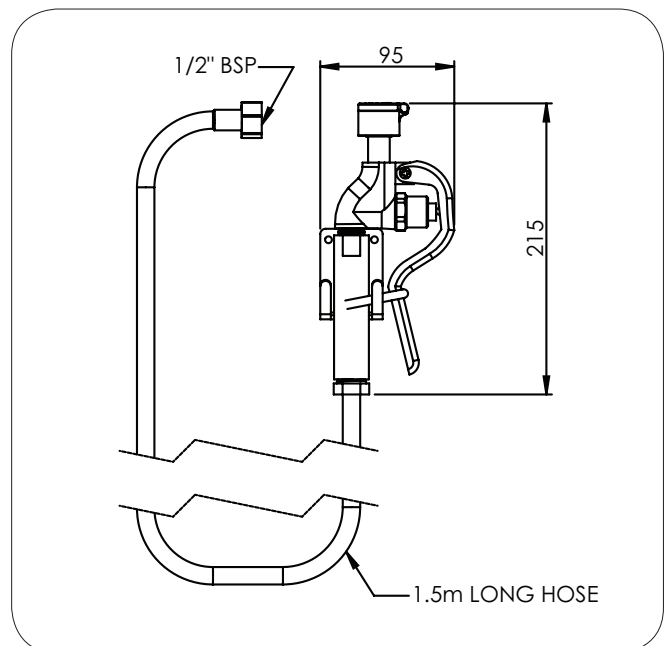


### Technical Information

Inlet Connection	15mm (1/2" BSP)
Minimum Working Pressure	50 kPa (7.2 psi)
Recommended Working Pressure	500 kPa
Minimum Flow Rate	6 lpm (1.3 gpm)

Enware tapware must be installed in accordance with the provisions of AS/NZS3500 and any relevant local regulations. Installations not complying with AS/NZS3500 may void the product and performance warranty provisions.

The performance of Enware AS/NZS 3718 tapware, in many cases, exceeds the plumbing system design requirements of the Plumbing Code of Australia and AS/NZS 3500.



Version: Jul18

Call 1300 369 273  
[www.enware.com.au](http://www.enware.com.au)

Enware Australia Pty Limited  
9 Endeavour Rd Caringbah NSW 2229 Australia  
Ph: +61 2 8556 4000 [info@enware.com.au](mailto:info@enware.com.au)

