

Thermal Relief Valve

EAATRV

KEY FEATURES

- Helps prevent over temperature of systems
- Stainless steel body, fittings, spring, and plug
- Discharges the minimum amount of water required to keep water temperature within pre-set limits
- Robust and corrosion resistant
- Compact, low-mass - fast response
- Opens when valve senses fluid temperature, not ambient temperature
- Ram-type plug for reliable and tight shut-off
- Unaffected by pressure variations
- Easy installation
- Installs in any orientation
- Self-actuating - no air or electricity required



PRODUCT CODES

EAATRV	Thermal Relief Valve
EAATRV-RETROKIT	Thermal Relief Valve - Retrofit Kit
EAATRV-RETROKITX	Thermal Relief Valve - Retrofit Kit Without Valve
EAATRV-F	Thermal Relief Valve - Fitted for Shower
EAATRV-FE	Thermal Relief Valve - Fitting Kit for Eye Wash

Options:

ESS100	Thermal Reflective Insulation (fitted)
--------	----------------------------------------

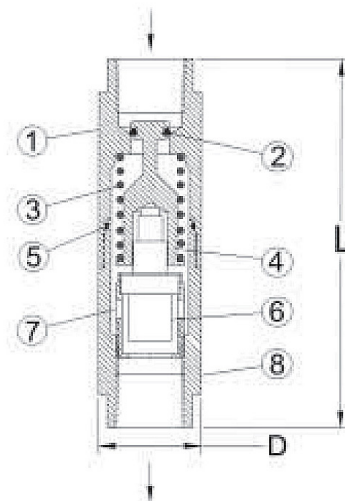
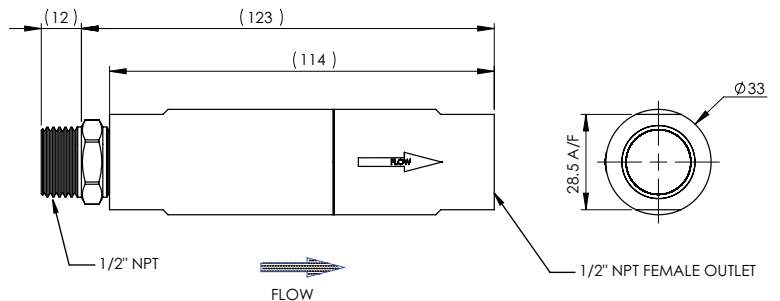
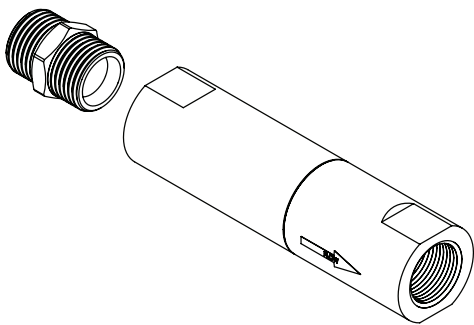
Version 2.2__24Nov22

Thermal Relief Valve

TECHNICAL INFORMATION

Inlet / Outlet Connection	1/2" (NPTF) female with 1/2" (NPT) nipple
Size	33 (D) x 114 (L) mm
Weight	0.41 kg
Port Size	C
Valve Flow Coefficient (C_v)	1.3
Maximum Operating Pressure	1370 kPa
Maximum Temperature	121°C

1. Close/Open temperatures: 35-41°C, opens at 41°C and remains open until water temperature is 35°C or below. Closing temperature is typically 6°C below opening temperature.
2. Seal material compatibility: EPDM - air (to 148.8°C), water, steam, ketones, and synthetic hydraulic oils.
3. A#20 mesh strainer is recommended for use with all port sizes (not supplied).



ITEM	DESCRIPTION	MATERIAL
1	Body - Inlet Half	300 Series Stainless
2	Seat Seal	PTFE
3	Operating Spring	300 Series Stainless
4	Ram-Type Plug	300 Series Stainless
5	Body Seal	EPDM / Viton
6	Thermal Actuator	Brass or SS
7	Actuator Carrier	Brass or SS
8	Body-Outlet Half	300 Series Stainless

1. Due to ongoing Research and Development, specifications may change without notice. 2. Component specifications may change on some export models. 3. Refer to warranty statement for warranty details - www.enware.com.au/warranty

Version 2.2__24Nov22

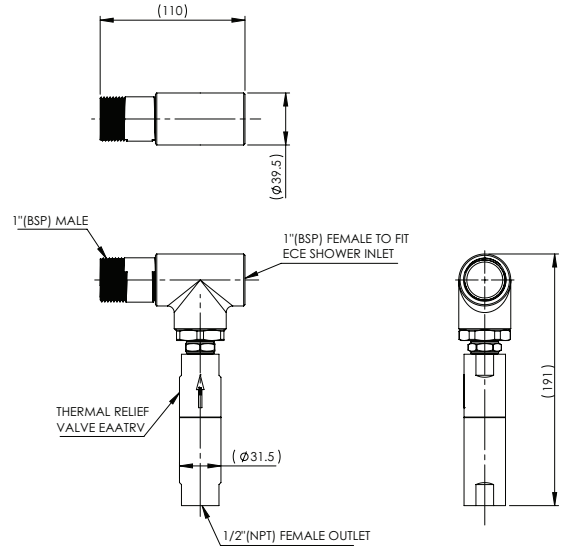
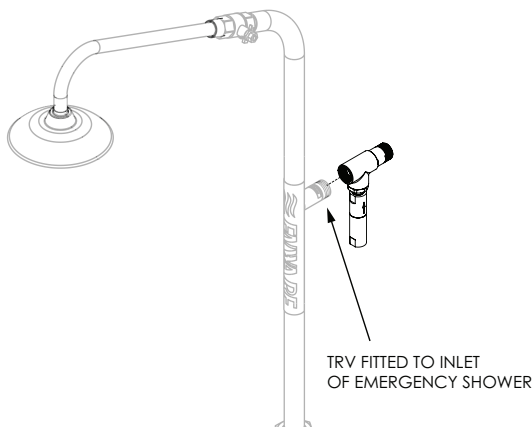
Thermal Relief Valve

TECHNICAL INFORMATION

EAATRV-RETROKIT

Thermal Relief Valve with Tee fitting suitable for installing onto the inlet of emergency shower.

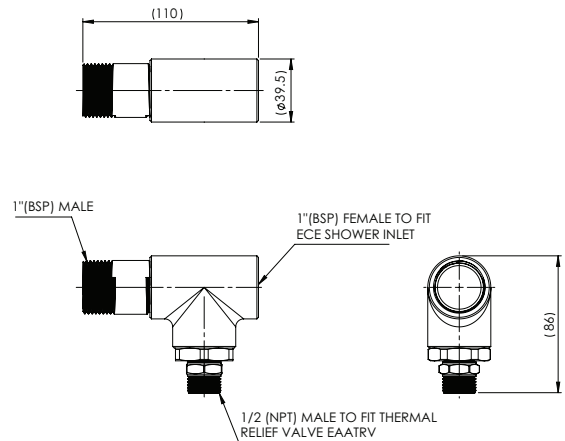
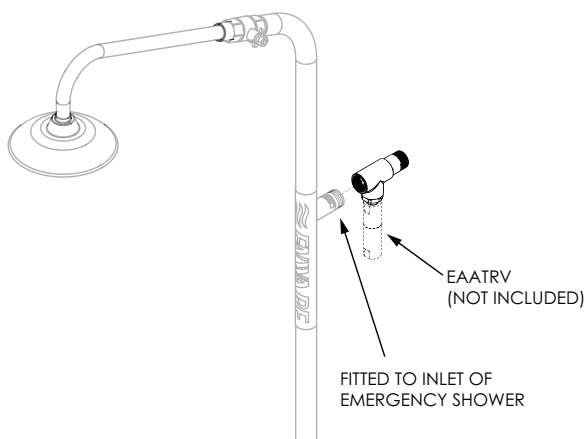
Thermal Relief Valve is supplied loose.



EAATRV-RETROKITX

Tee fitting suitable for installing Thermal Relief Valve onto the inlet of emergency shower.

Tee fitting only, valve not included.



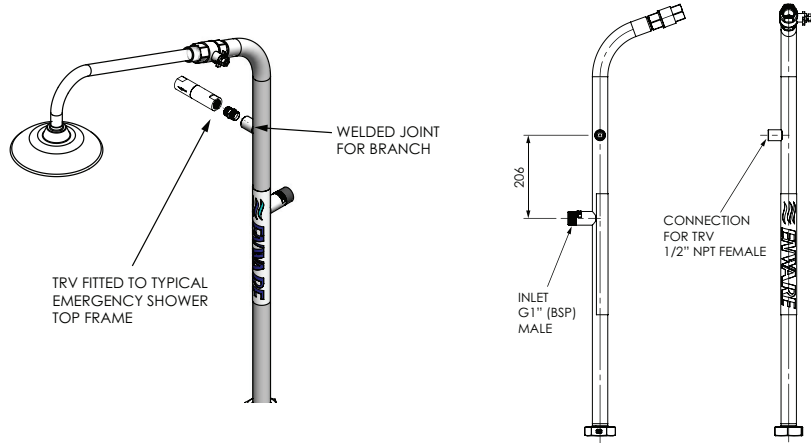
Version 2.2__24Nov22

Thermal Relief Valve

TECHNICAL INFORMATION

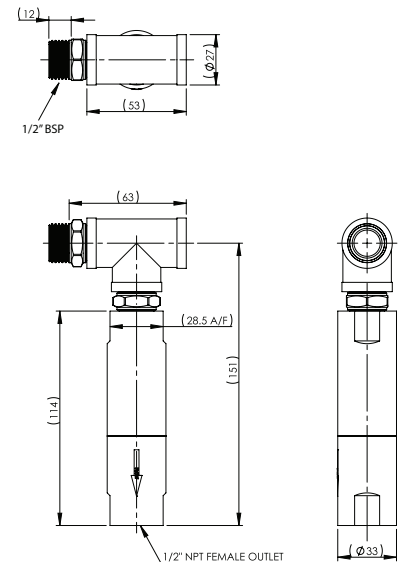
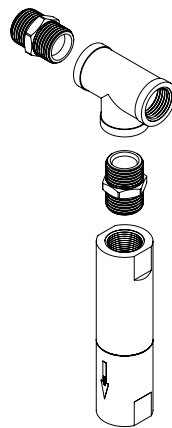
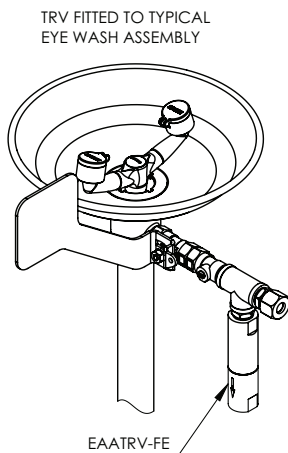
EAATRV-F

Branch off-take is added to shower top frame.
Thermal relief valve is supplied loose.



EAATRV-FE

Kit with 1/2" tee and nipples supplied loose with
Thermal Relief valve.
Suitable for fitting onto eye washes and eye/ face
washes.



Version 2.2__24Nov22