

# Pull Down Eyewash - Wall Mounted

## EL487

The wall mounted eyewash is designed to comply with AS4775-2007 and ANSI 358.1-2009 (when installed to the correct specifications).

The eyewash is intended for use as a first aid response to help flush contamination from the eyes and prepare the user for proper medical treatment.

It is designed to be an aesthetically pleasing option suitable for use within laboratory or school environments whilst being durable enough to be suitable for use in many other safety situations.

When positioned correctly, the eyewash can be activated by pulling it down directly over a sink to help capture the water. When not in use, the unit remains out of the way and will not interfere with the normal usage of the sink.

### FEATURES

- Aerated outlets
- Chrome plated brass body
- Ball valve style operation
- Isolation valve included
- Includes sign



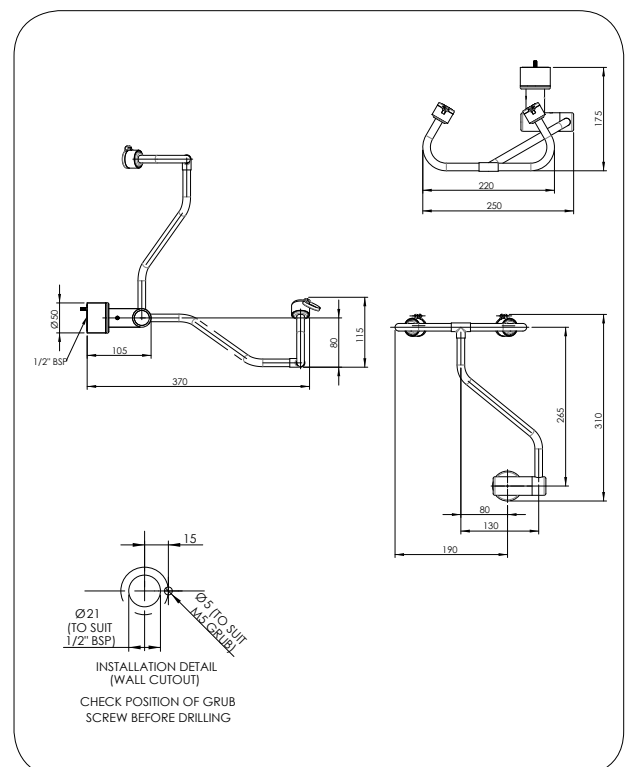
### Product Code

EL487 Wall Mounted Pull Down Eye Wash

### Technical Information

Inlet Connection	1/2" BSP
Testing Pressure Range (static)	1000kPa
Recommended Working Pressure (dynamic)	210kPa
Maximum Working Pressure	500kPa
Operating Temperature	Tepid

\* The performance of Enware AS/NZS 3718 tapware, in many cases, exceeds the plumbing system design requirements of the Plumbing Code of Australia and AS/NZS 3500.  
~ Flushing fluid at tepid temperatures shall be delivered - 15.6°C - 37.8°C



Version: Jan 14

Call 1300 369 273  
[www.enware.com](http://www.enware.com)

Enware Australia Pty Limited  
9 Endeavour Rd Caringbah NSW 2229 Australia  
Ph: 02 8536 4000 Fax: 02 8556 4055

  
installing confidence