

Free Standing Platform Operated Multi-spray Shower with Hand Operated Eye/Face Wash

EM690

Enware's free standing multi-spray decontamination showers for use where hazardous substances are used. The multi-sprays ensures maximum coverage of clothing and the highest quality components ensure reliability.

Constructed from stainless steel for maximum durability and reliability.

FEATURES

- 16 Multi-spray outlets
- Three side panels
- Step-on shower activation
- Hand operated eye/face wash

OPTIONS

Side Panels can be powder coated in Green, White, Yellow and Orange. Specify when ordering.



Product Codes

EM690 Free Standing Platform Operated Multi-spray Shower with hand operated Eye/Face Wash

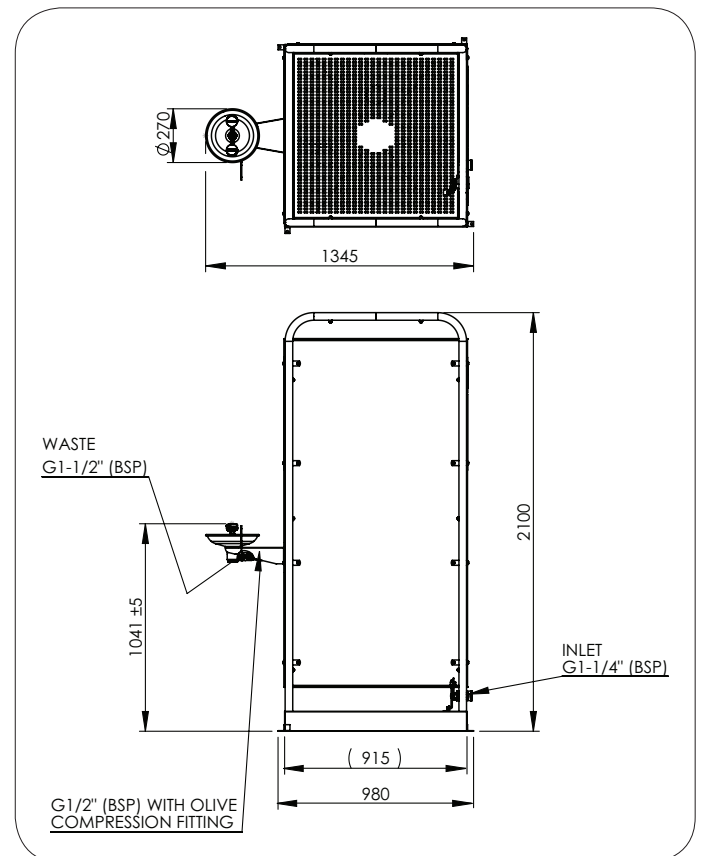
Technical Information

Decontamination Shower	
Inlet Connection	32 mm (1¼" BSP) Female NPT and flange connections available for petro-chemical and offshore applications
Flow Rates	97 lpm @ 200 kPa 118 lpm @ 300 kPa 153 lpm @ 500 kPa 216 lpm @ 1000 kPa
Eye/Face Wash	
Inlet Connection	1/2" BSP male (DN 15mm) with olive compression fitting
Water Supply Line Size	Supply piping shall be adequately sized to meet flow requirements
Minimum Requirements to achieve ANSI Z358.1 and AS/NZS 4775 compliance	Min Working Pressure: 210 kPa (30 psi) Caution should be taken when pressure exceeds 550 kPa (80 psi) Minimum Flow 11.4 lpm (3 US gpm)
Enware Performance	At Working Pressure: 210 kPa (30 psi) Eye/Face Wash Flow 26 lpm (6.9 US gpm)
Waste Water Outlet Connection	G 1-1/2" BSP

Installation of eye/face wash equipment shall be in accordance with AS/NZS4775 or ANSI Standard Z358.1 - whichever is applicable to the installation.

NOTE: Enware Australia advises:

1. Due to ongoing Research and Development, specifications may change without notice.
2. Component specifications may change on some export models.



Version: Mar 20

Call 1300 369 273
www.enware.com.au

Enware Australia Pty Limited
9 Endeavour Rd Caringbah NSW 2229 Australia
Ph: 02 8536 4000 info@enware.com.au

