

Emergency Eye/ Face Wash Wall Mounted Hand Operated

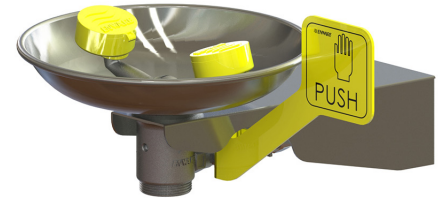
EFE300

Enware's emergency eye/face wash units help to flush contaminants and irritants from eyes and facial area.

Designed and manufactured in Australia. Stainless steel construction provides superior durability and reliability.

FEATURES

- Independently tested to comply with ANSI Z 358.1 and AS/NZS 4775
- Stainless steel bowl, stay-open ball valve and hand actuator
- Push activated eyewash with soft aerated flow and integral auto-open dust covers
- Integral flow volume control
- Eye/face wash features "Vertech™ Technology" where dedicated eyewash and independently angled face wash streams deliver optimum coverage
- Zero velocity apex point provides more comfort and control for effective cleansing of eyes
- High visibility yellow coated push handle



ADDITIONAL OPTIONS

- Audio/Visual alarms for alerts
- Flow pressure and proximity switches to activate alarms and lights
- Thermal relief valve removes built-up hot water
- Anti-freeze valve for cold weather climates help prevent water freezing
- NPT flange connectors
- Custom manufacturing & design
- Signage compliant to AS1319

Product Codes

EFE300 Wall Mounted Eye/Face Wash Hand Operated Stainless Steel

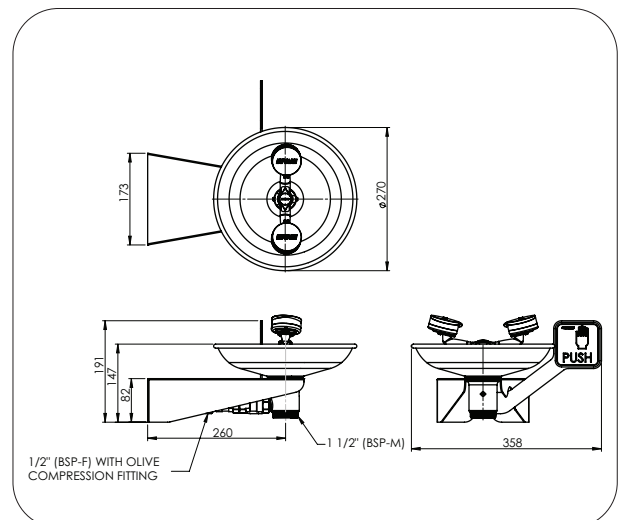
Technical Information

Inlet Connection	1/2" BSP male (DN 15mm) with compression nut
Water Supply Line Size	Must be hydraulically sized to meet requirements.
Minimum Requirements for ANSI Z358.1 and AS/NZS 4775 compliance	210 kPa (30 psi) Caution should be taken when pressure exceeds 550 kPa (80 psi)
Minimum Flow Requirements	11.4 lpm (3 US gpm)
Enware Performance	26 lpm (6.9 US gpm) at working pressure 210kPa (30 psi)
Waste Water Outlet Connection	G 1-1/2" BSP
Weight	approx. 5kg
Dimensions	460 x 360 x 320 mm

Installation of emergency showers, eye and eye/face wash equipment shall be in accordance with AS/NZS4775 or ANSI Standard Z358.1 - whichever is applicable to the installation.

Enware Australia advises:

1. Due to ongoing Research and Development, specifications may change without notice.
2. Component specifications may change on some export models.

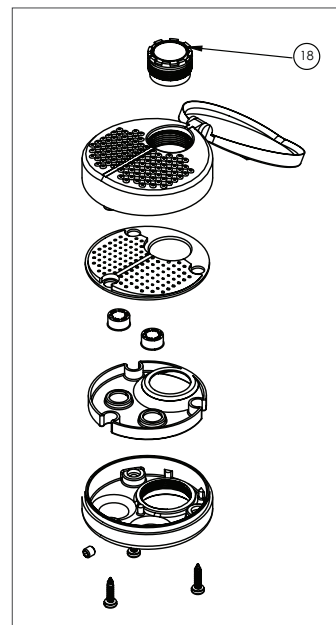
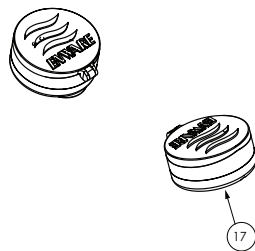
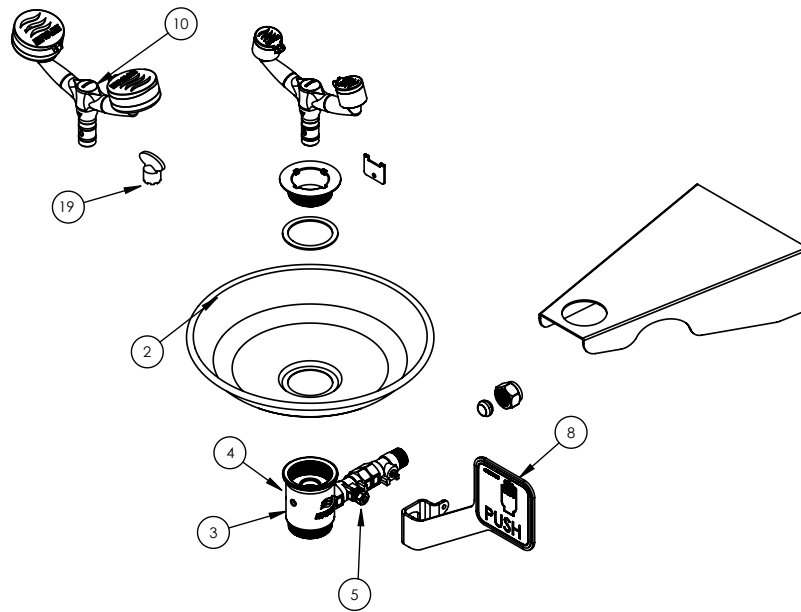


Version: Aug 21

Call 1300 369 273
www.enware.com.au

Enware Australia Pty Limited
9 Endeavour Rd Caringbah NSW 2229 Australia
Ph: 02 8536 4000 info@enware.com.au





Item	Description	
2	Bowl	ESPE008
3	Eye Wash Waste With Inlet Control Valve	ESPE818
4	Grub Screw M6 X 12Mm Waste Tee	ESPE814
5	Ball Valve And Flow Control Assembly FF half inch SS one piece	ESP005
8	Push Handle	ESPE010
10	Eye/Face Wash Frame only	ESPE815
	Inspection Tag	ESS521

Item	Description	
13	Mesh Filter 1/2" (40 Mesh)	ESPE811
14	O-rings for Eye & Eye/Face Wash Tee Piece [2x Spigot O-rings, 1x Strainer Cap O-ring]	ESPE812
17	Eye/Face Wash Outlet (each)	ESPE012
18	Aerator to Suit Eye/Face Wash	ESPE013
19	Aerator Key to Suit Eye/Face Wash Only	ESPE014

Version: Aug 21

Call 1300 369 273
www.enware.com.au

Enware Australia Pty Limited
 9 Endeavour Rd Caringbah NSW 2229 Australia
 Ph: 02 8536 4000 info@enware.com.au

