

A

B

C

D

1

1

2

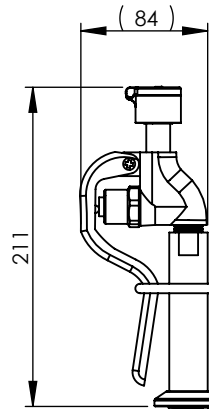
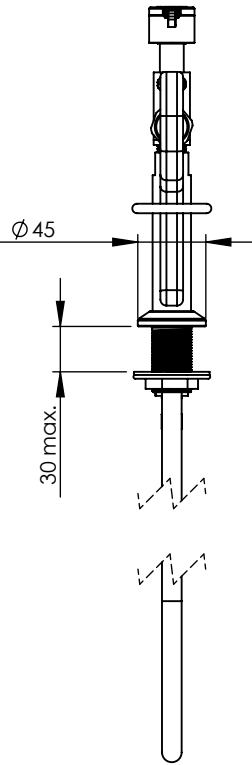
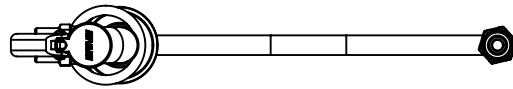
2

3

3

4

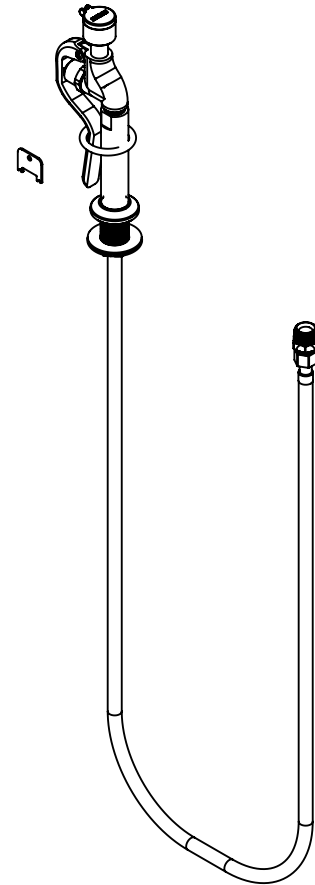
4



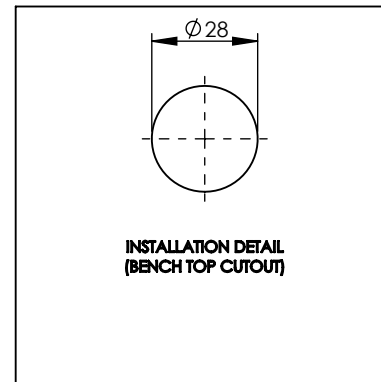
3/4" x 19 T.P.I.  
WHITWORTH

1/2" (BSP)

1.5 m LONG  
HOSE



SEE NOTE 1



INSTALLATION DETAIL  
(BENCH TOP CUTOUT)

**NOTES:-**

1. OUTLET CUTOUT  $\phi 28$  OR  $\phi 33$ .  
PLEASE CHECK COMPONENT AS SIZE CAN VARY.



**GENERAL NOTES:**

- DIMENSIONS ARE IN mm's
- DO NOT SCALE OFF DIMENSIONS
- TAPWARE TOLERANCE / 2 (EXCEPT WHERE STATED )
- SAFETY SANITARY AND CARE TOLERANCE / 5 (EXCEPT WHERE STATED )

This drawing is the property of Enware Australia Pty Ltd and may not be reproduced in full or part without the written consent of Enware Australia.

DRAWN	TD
CHECKED	RA
APPROVED	AK



9 Endeavour Rd,  
Caringbah, NSW, 2229  
Ph. +61 2 8536 4000  
Email: info@enware.com.au

DRAWING NUMBER: EL540	REV: F.0
DESCRIPTION: BENCH MOUNTED HAND HELD DRENCH HOSE	
FINISH:	SIZE: A4 SCALE: 1:5

A

B

C

D