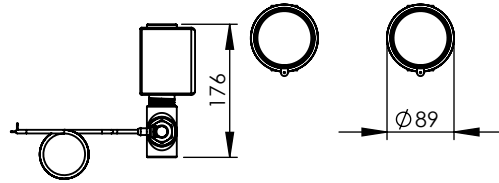
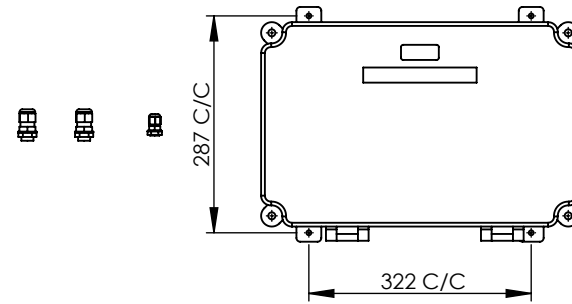


A

B

C

D

HAZARD ZONE**SAFE ZONE**

DESCRIPTION	CERTIFICATE NUMBER
SOUNDER/BEACON (RED)- IS-mC1-R/R	IECEX SIR 06.0045X
SOUNDER/BEACON (AMBER)- IS-mC1-R/A	IECEX SIR 06.0045X
FLOW SENSOR - SF320A HAZ ZONE 2G	IECEX BVS 06.0007
FLWSWITCH CONNECTION CABLE BLUE	IECEX BVS 11.0002X
PRESSURE SWITCH NEODYN 100P HAZ	IECEX SIR 10.0009X

1

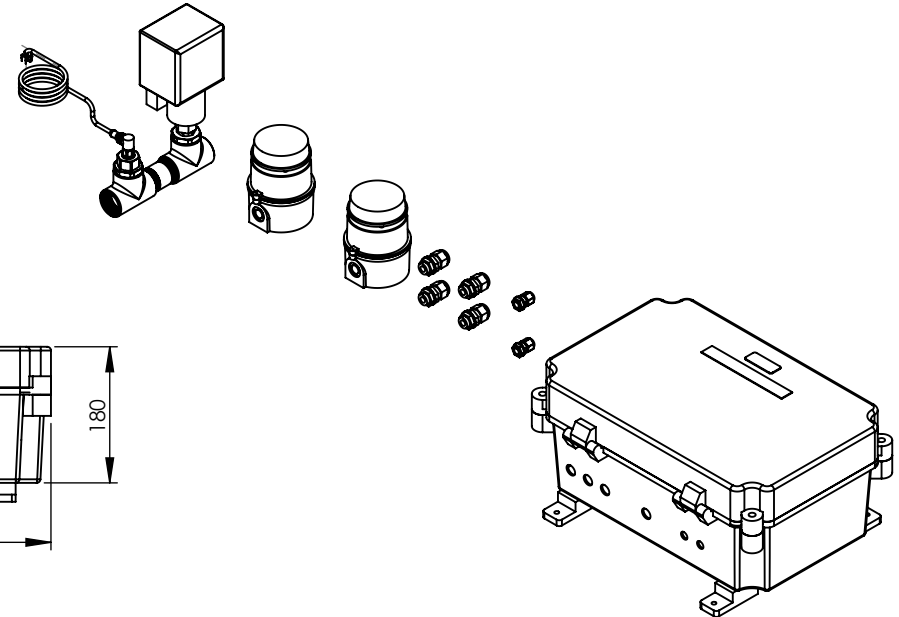
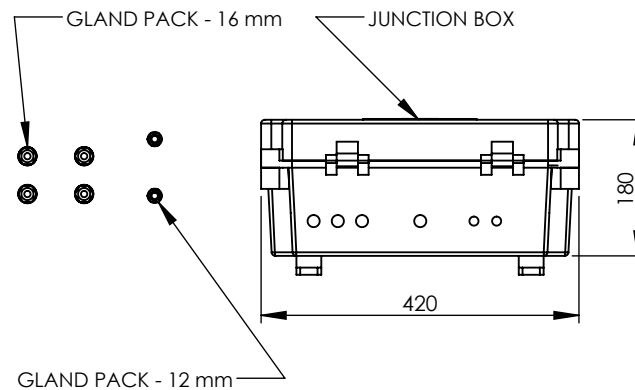
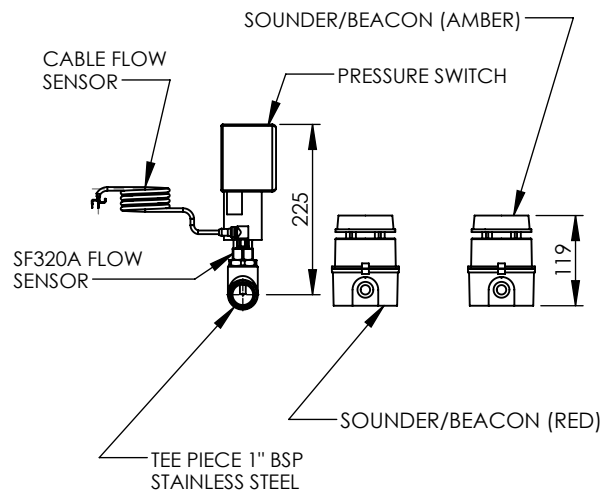
1

2

2

3

3



4

4

**GENERAL NOTES:**

- DIMENSIONS ARE IN mm's
- DO NOT SCALE OFF DIMENSIONS
- TAPWARE TOLERANCE / 2 (EXCEPT WHERE STATED)
- SAFETY SANITARY AND CARE TOLERANCE / 5 (EXCEPT WHERE STATED)

This drawing is the property of Enware Australia Pty Ltd and may not be reproduced in full or part without the written consent of Enware Australia.

DRAWN	TD
CHECKED	RA
APPROVED	AK

9 Endeavour Rd,
Caringbah, NSW, 2229

Ph. +61 2 8536 4000
Email: info@enware.com.au

DRAWING NUMBER: EAH53

REV: A.0

DESCRIPTION:
HAZ ALARM SYS PRESS, FLOW BMS & LOC SHWR

FINISH:

SIZE: A4

SCALE: 1:10

A

B

C

D