

A

B

C

D

1

1

2

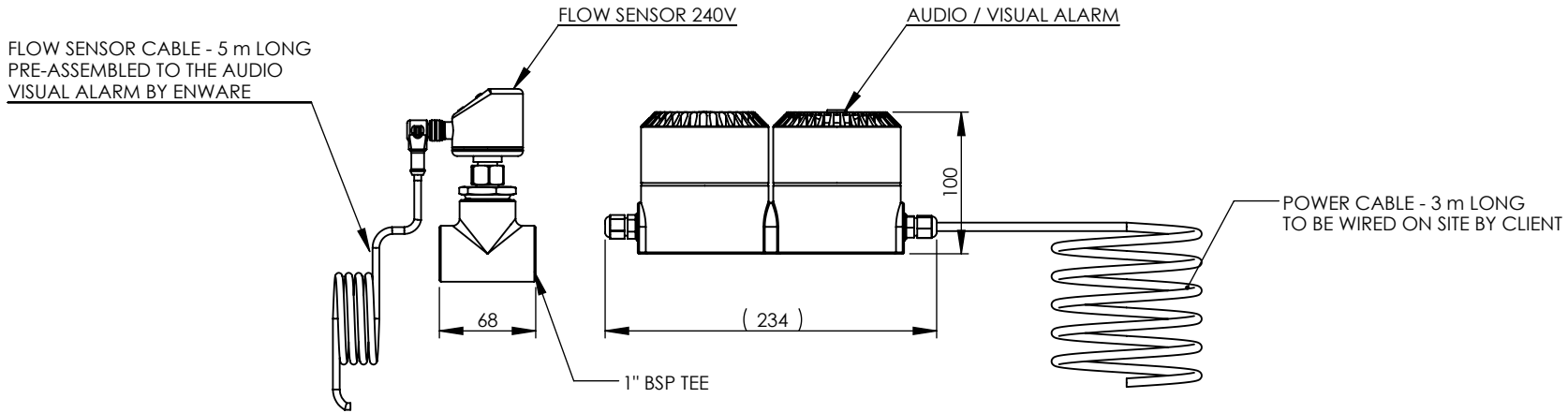
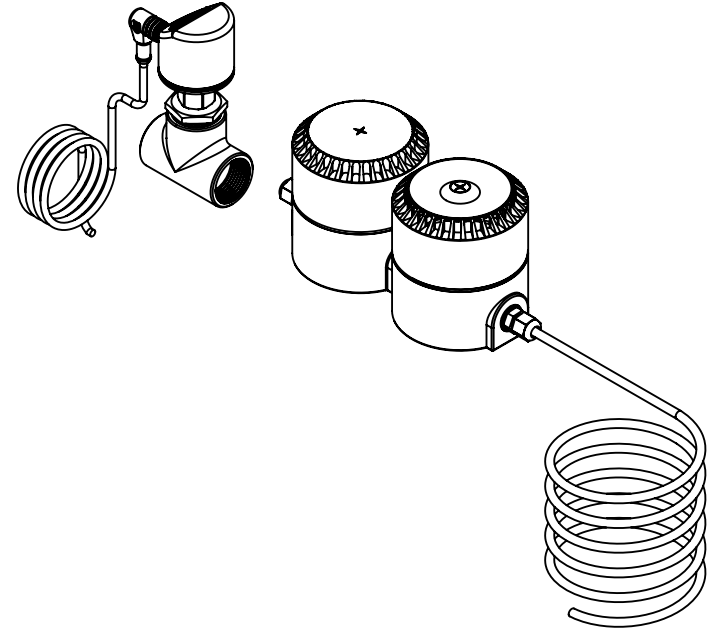
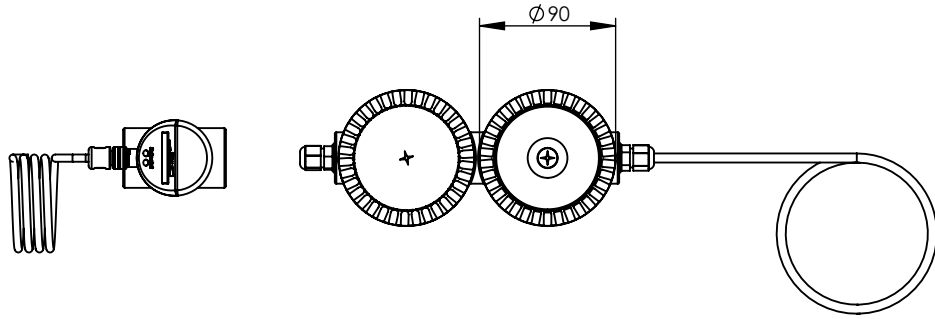
2

3

3

4

4



**Quality Endorsed Company**  
AS/NZS ISO 9001  
LIC No. 1213  
Standards Australia  
ENWARE RESERVES THE RIGHT TO AMMEND PRODUCT SPECIFICATIONS AND DESIGNS WITHOUT NOTICE

**GENERAL NOTES:**  
- DIMENSIONS ARE IN mm's  
- DO NOT SCALE OFF DIMENSIONS  
- TAPWARE TOLERANCE  $\pm 2$  (EXCEPT WHERE STATED )  
- SAFETY SANITARY AND CARE TOLERANCE  $\pm 5$  (EXCEPT WHERE STATED )

This drawing is the property of Enware Australia Pty Ltd and may not be reproduced in full or part without the written consent of Enware Australia.

DRAWN	TD
CHECKED	CL
APPROVED	LR

**ENWARE**

9 Endeavour Rd,  
Caringbah, NSW, 2229 Ph. +61 2 8536 4000  
Fax. +61 2 8556 4055

DRAWING NUMBER: **EAA999**

REV **C.00**

TITLE:  
**FLOWSWITCH 240V ALARM COMB WIRED**

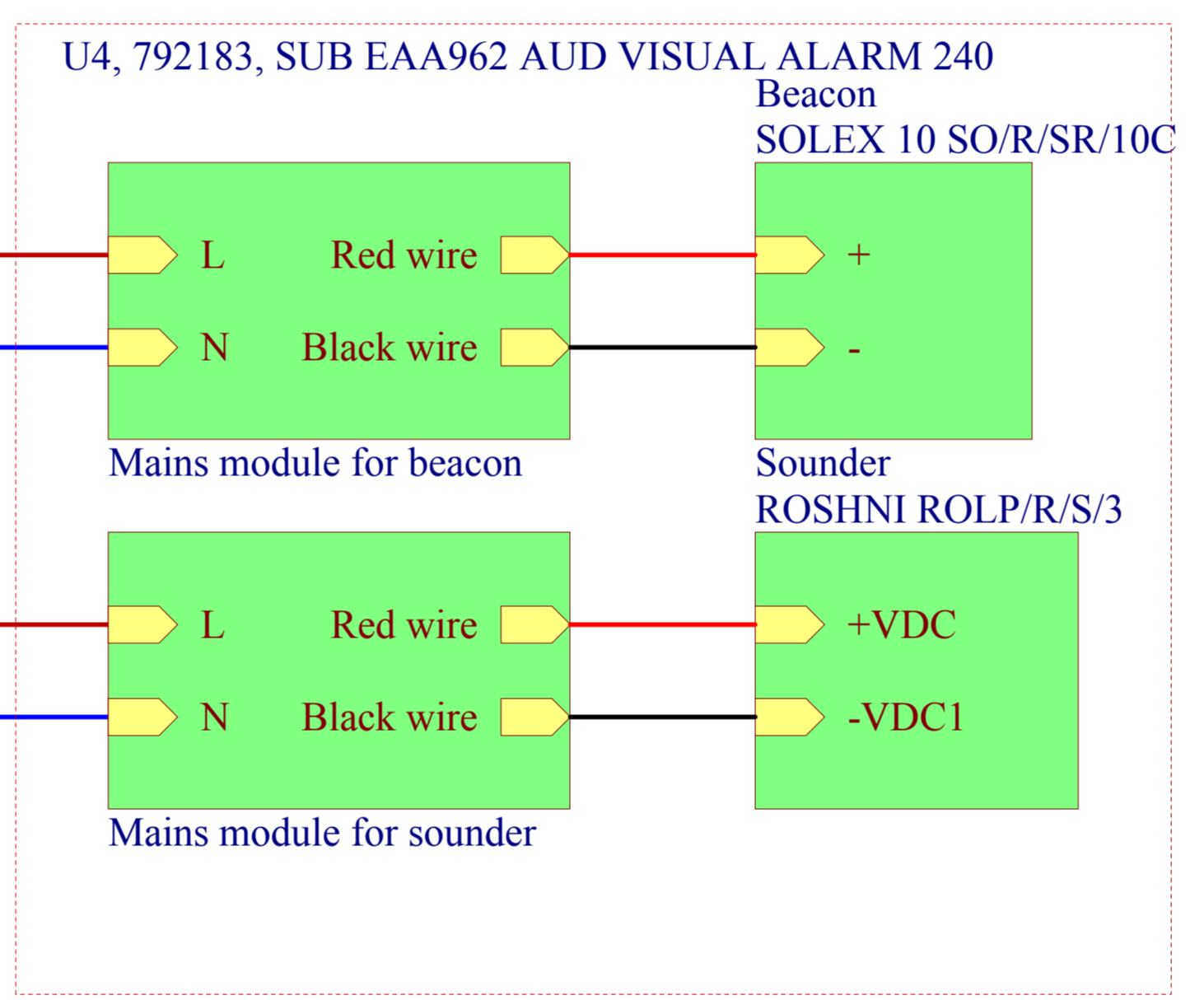
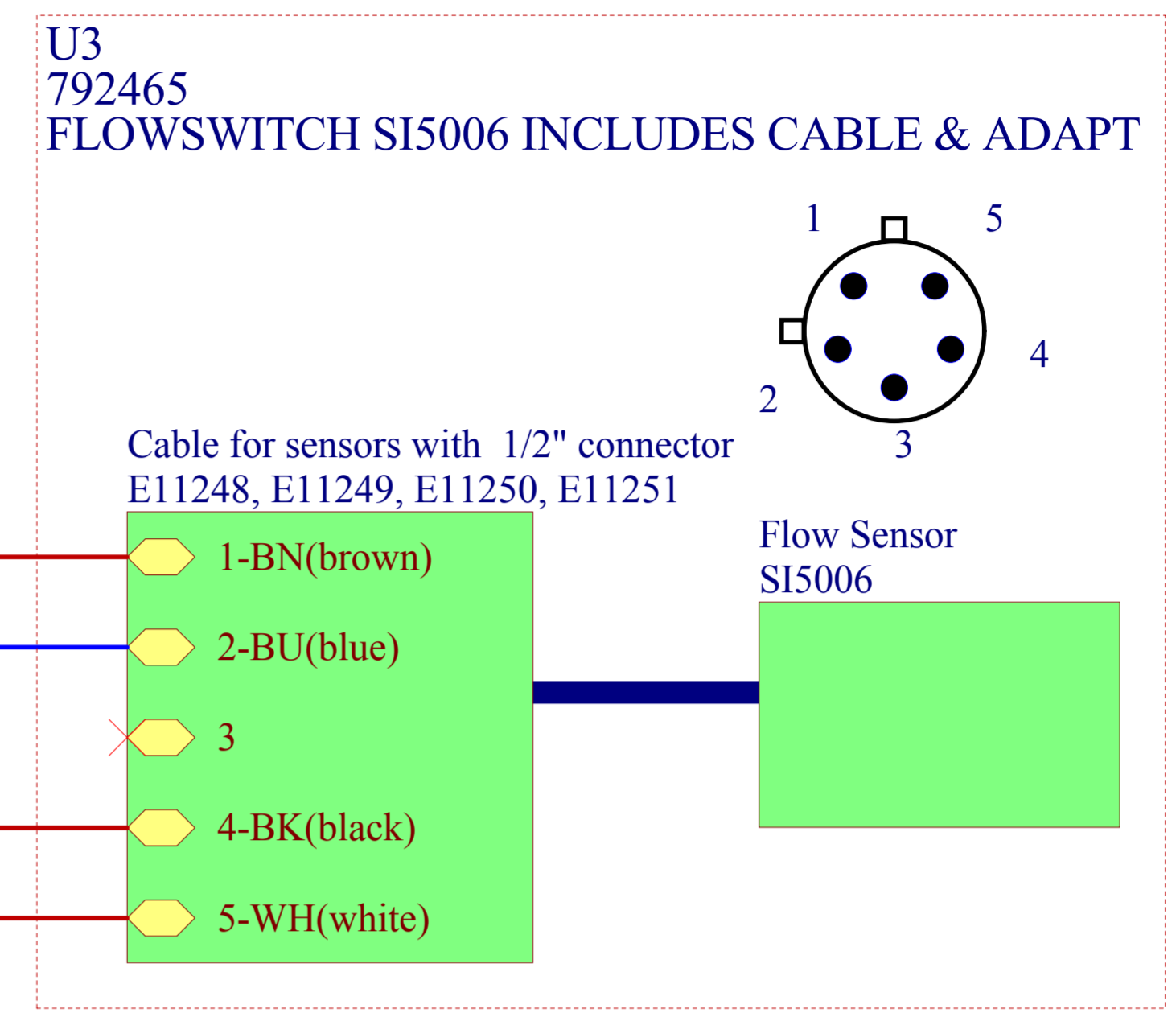
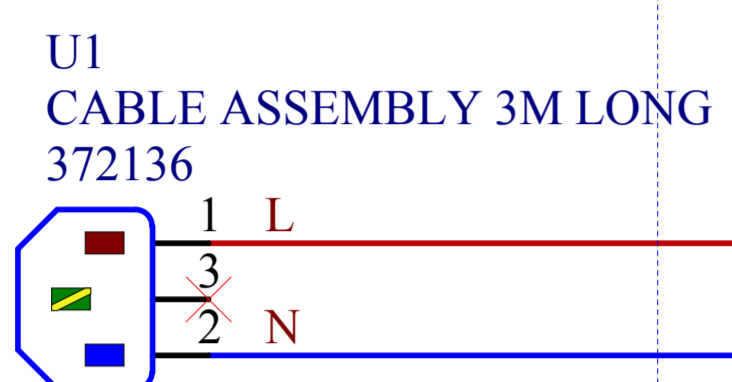
FINISH: . . . . . SIZE: A4 SCALE: 1:5

A

B

C

D



-This diagram represents manufacturers wiring suggestions only.  
-The installation should follow the requirements of AS/NZS 3000:2000, Electrical installations (known as the Australian/New Zealand Wiring Rules).

REVISION				DRAWN	JX	<p>9 Endeavour Rd, Caringbah, NSW, 2229 Ph. 61-2-9525-9511 Fax. 61-2-9524-8421</p>
REV	DATE	ECN	DESCRIPTION	CHECKED	*	
				APPROVED	*	
v1.2	05/05/2015	4739		JX		<p>Quality Endorsed Company AS/NZS ISO 9001 LIC No. 1213 Standards Australia</p>
v1.3	16/06/2015	5072		JX		
						<p>TITLE <b>EAA979/999 WIRING DIAGRAM</b></p> <p>DRAWING NUMBER <b>EAA979/999</b></p> <p>SIZE: A4</p>
						SHEET: 1 OF 1

A

B

C

D